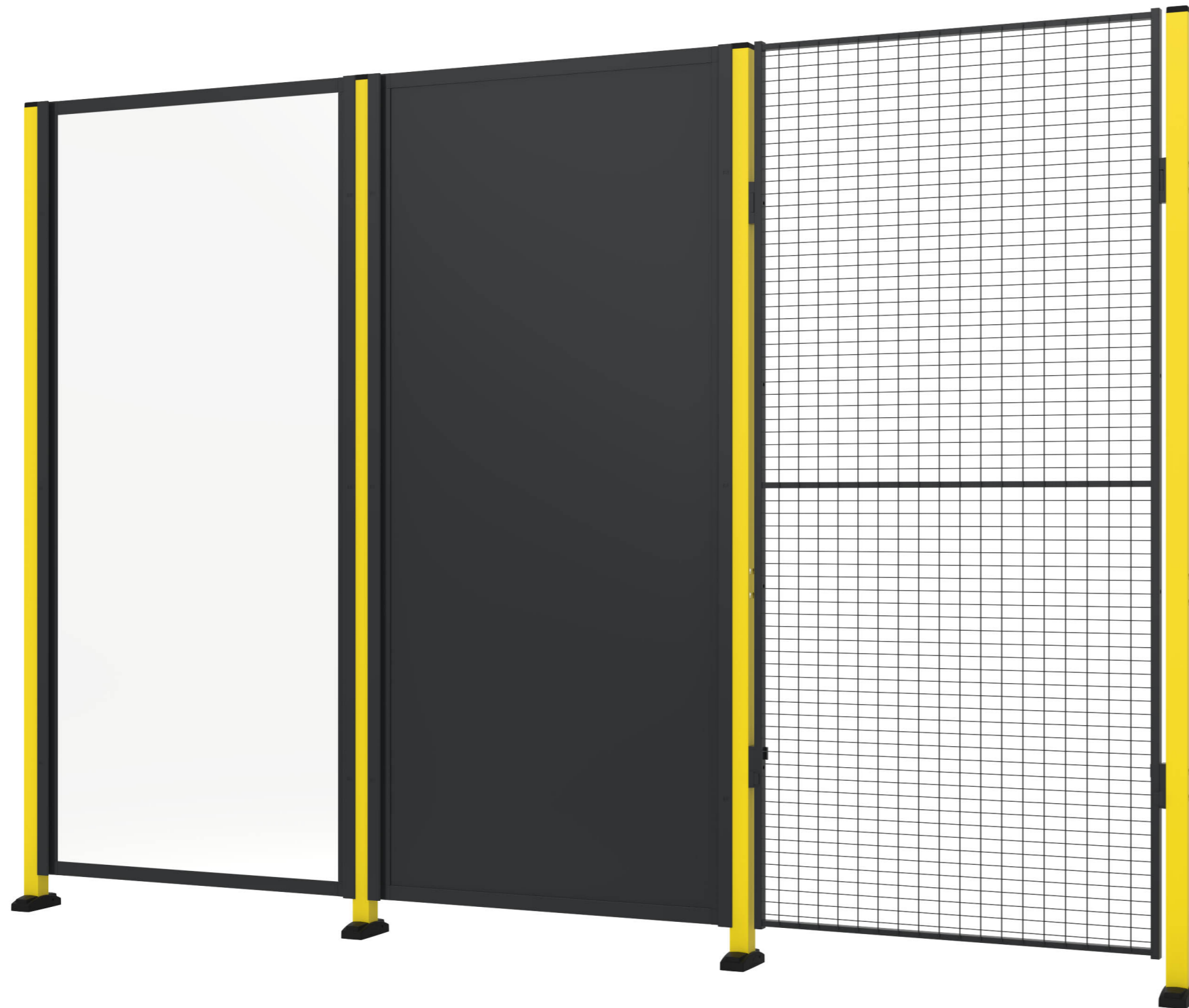


# X-Guard

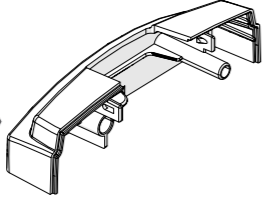
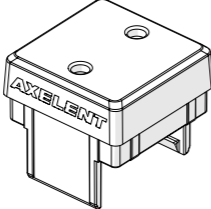
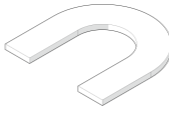

Classic, 50x50 post

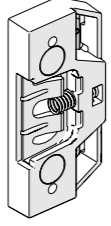
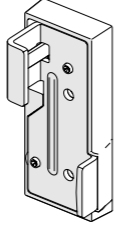
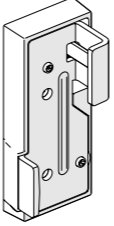


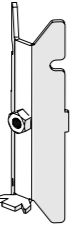

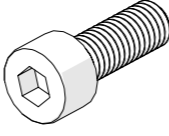
**AXELENT AB**


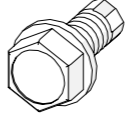
[WWW.AXELENT.COM](http://WWW.AXELENT.COM)

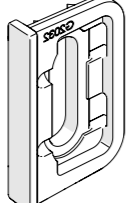
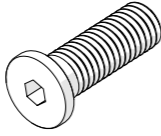
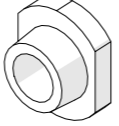

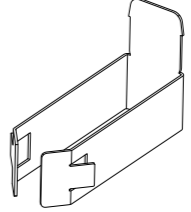
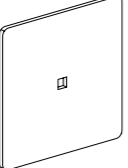
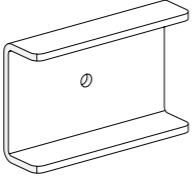
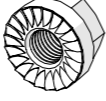



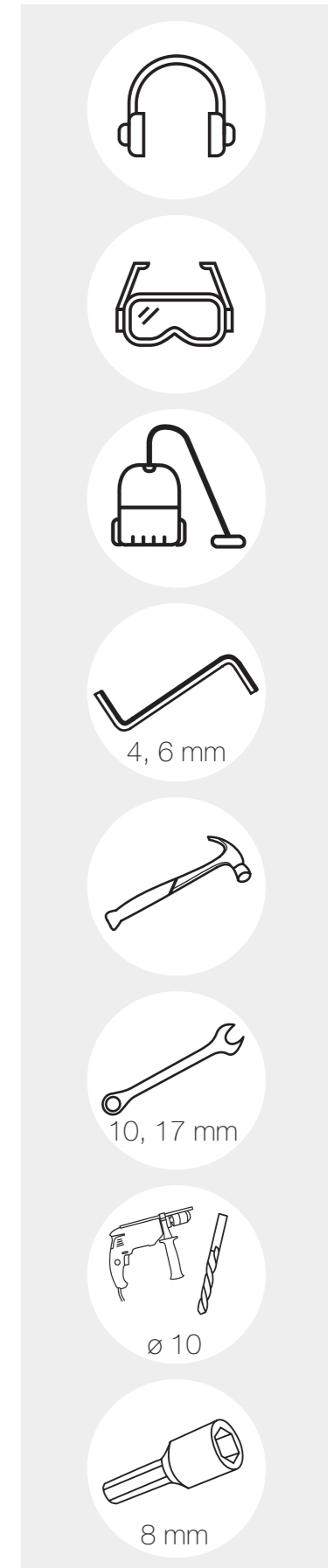
<b>B00-002</b>				
	G2006 X2	G2066 X1	10-9942 X2	10-9932 X2

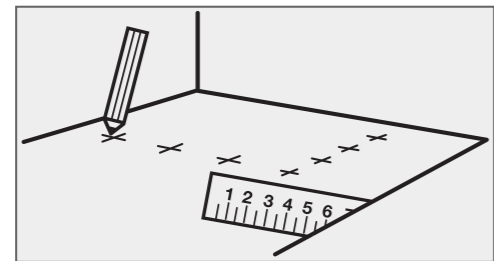
<b>T00-01</b>			
	G2036 X2	G2240H X1	G2240V X1

Optional* <b>B00-041</b>			
	G2264 X1	G2263 X1	MC6S-M8.22ZP X1

Mesh panels		
Optional* <b>B00-010</b>		
	G2426 X2	30-9901 X8

Sheet metal and plastic panels							
<b>B00-073</b>				Optional* <b>T11-3-XXX04</b>		Optional* <b>B00-075/ B00-076</b>	
	G2032 X2	G2035 X2	G2049-1 X2		G2422-3-XXXX X2		G2423 X4/X6
Optional* <b>B00-104</b>							
	G2552 X2	G2553 X2	M6MF-M5 X2	MVBF-M5.50 X2			





**1** Preparation  
P. 4



**2A**

P. 5



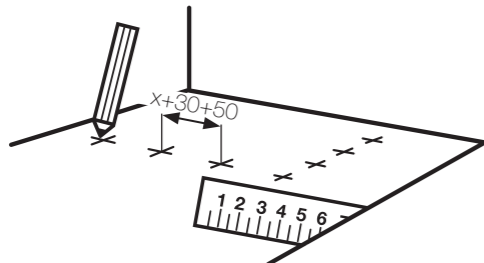
**2B**

P. 7

**3** Extended Height  
P. 10

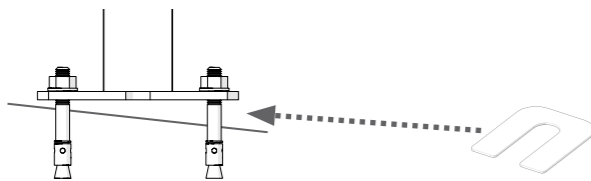


→ x-guard assembly instruction  
anchor bolts



$x+30$

$x$



P. 5



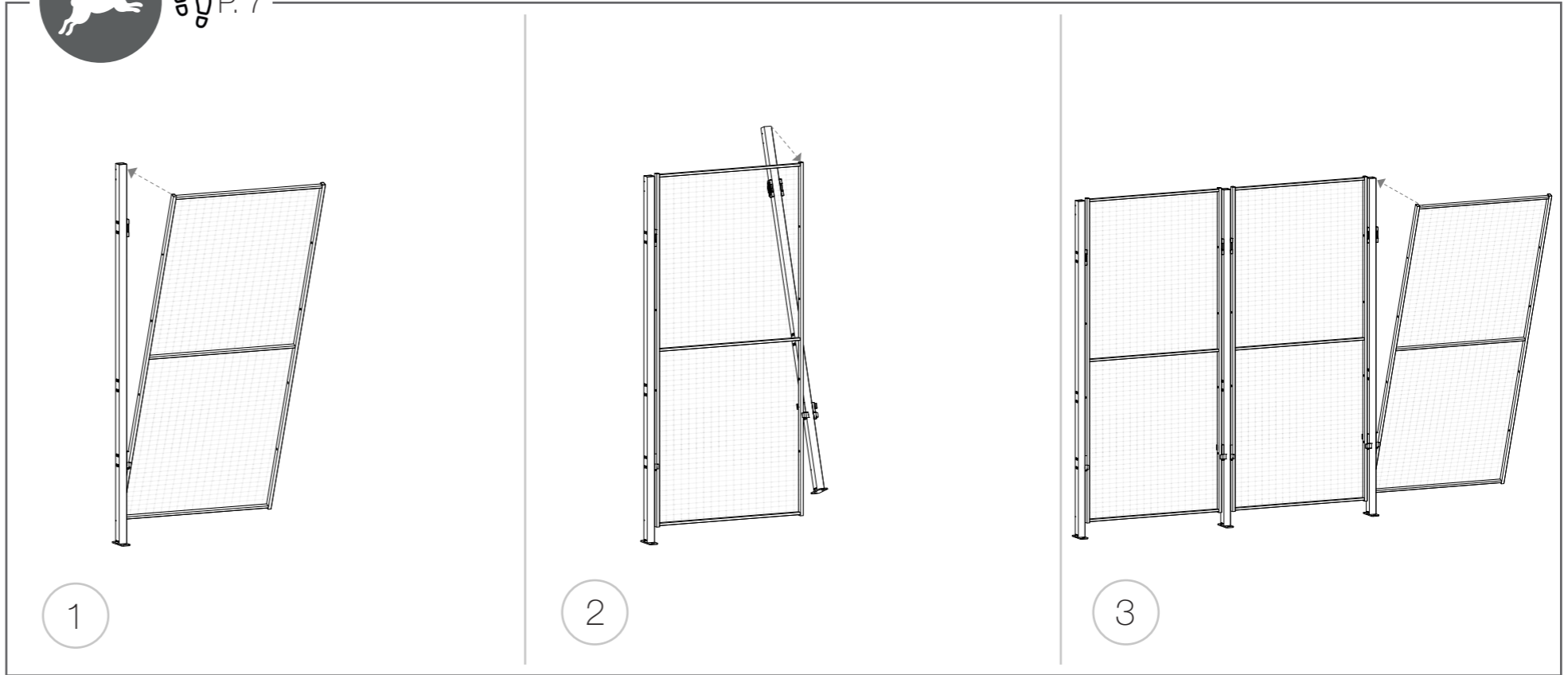
1

2

3



P. 7

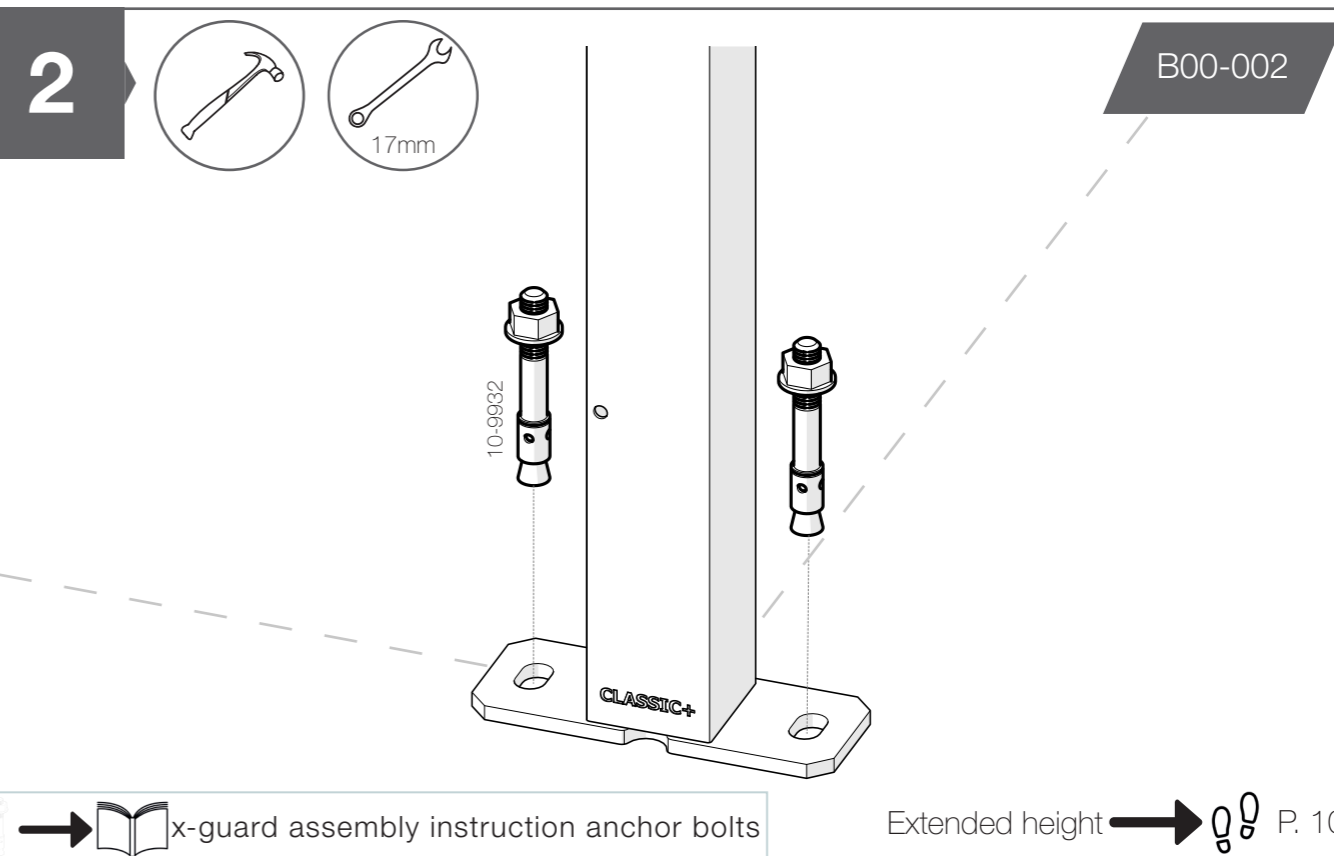
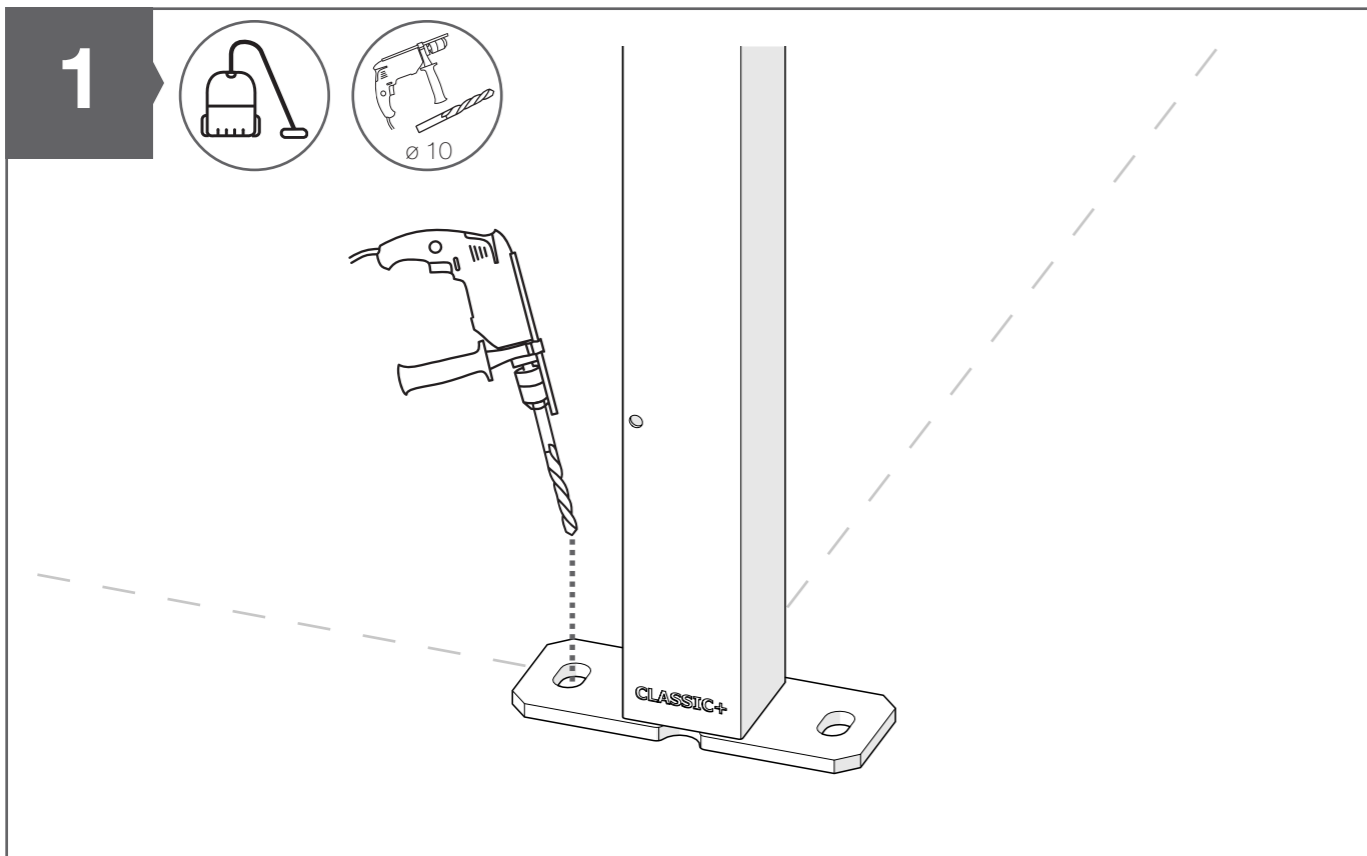


1

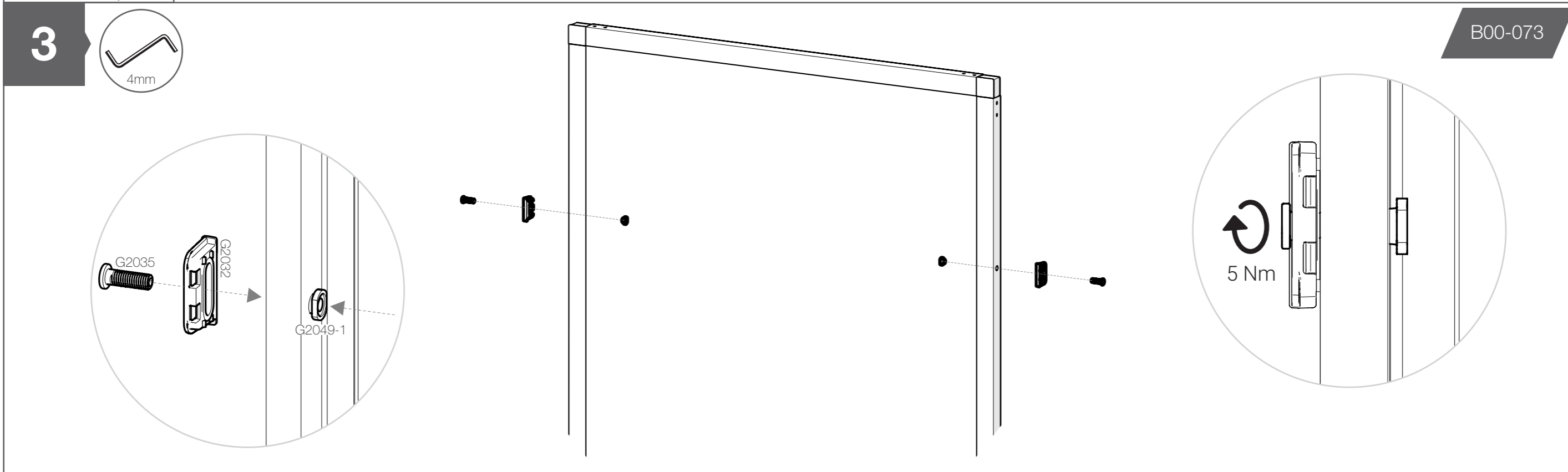
2

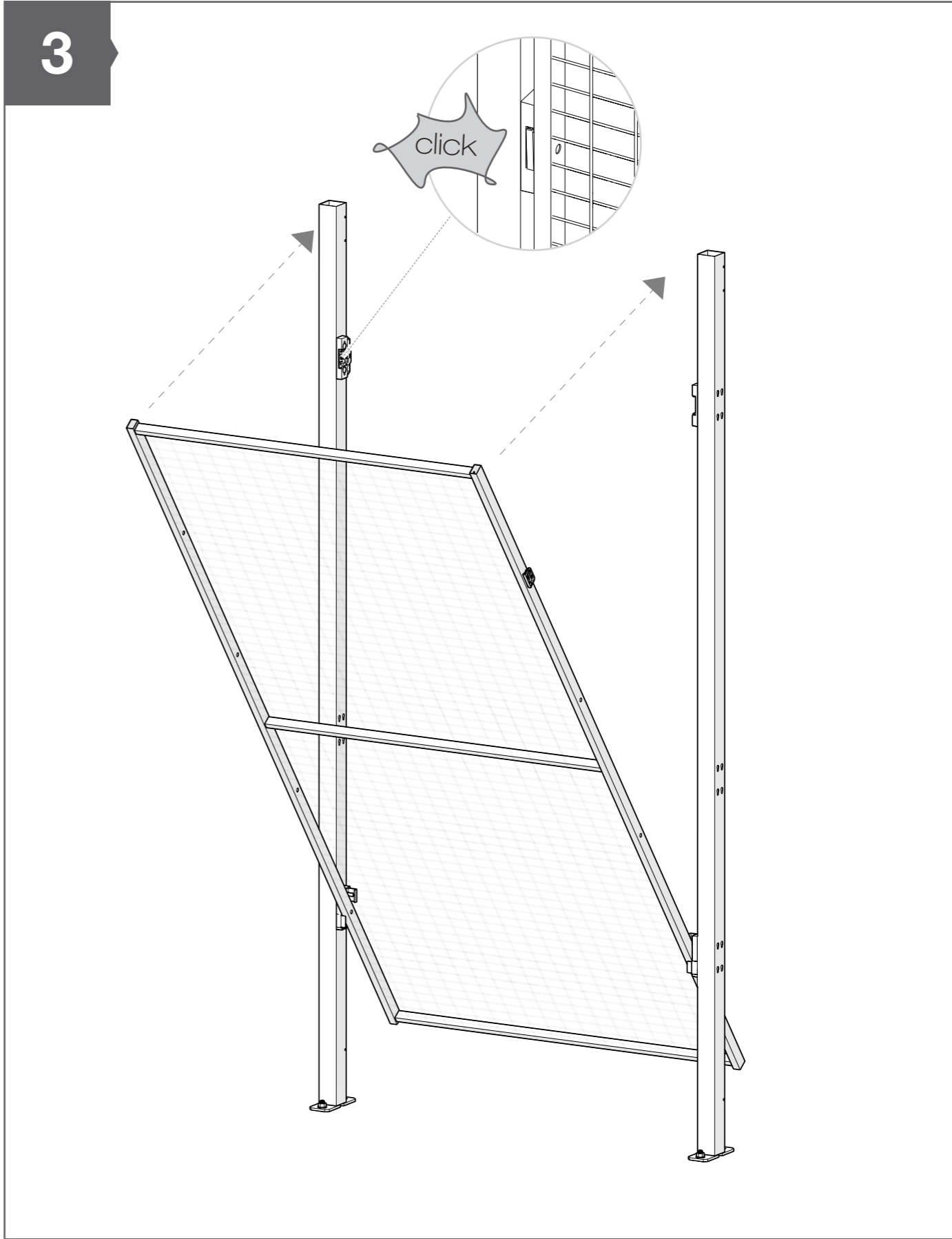
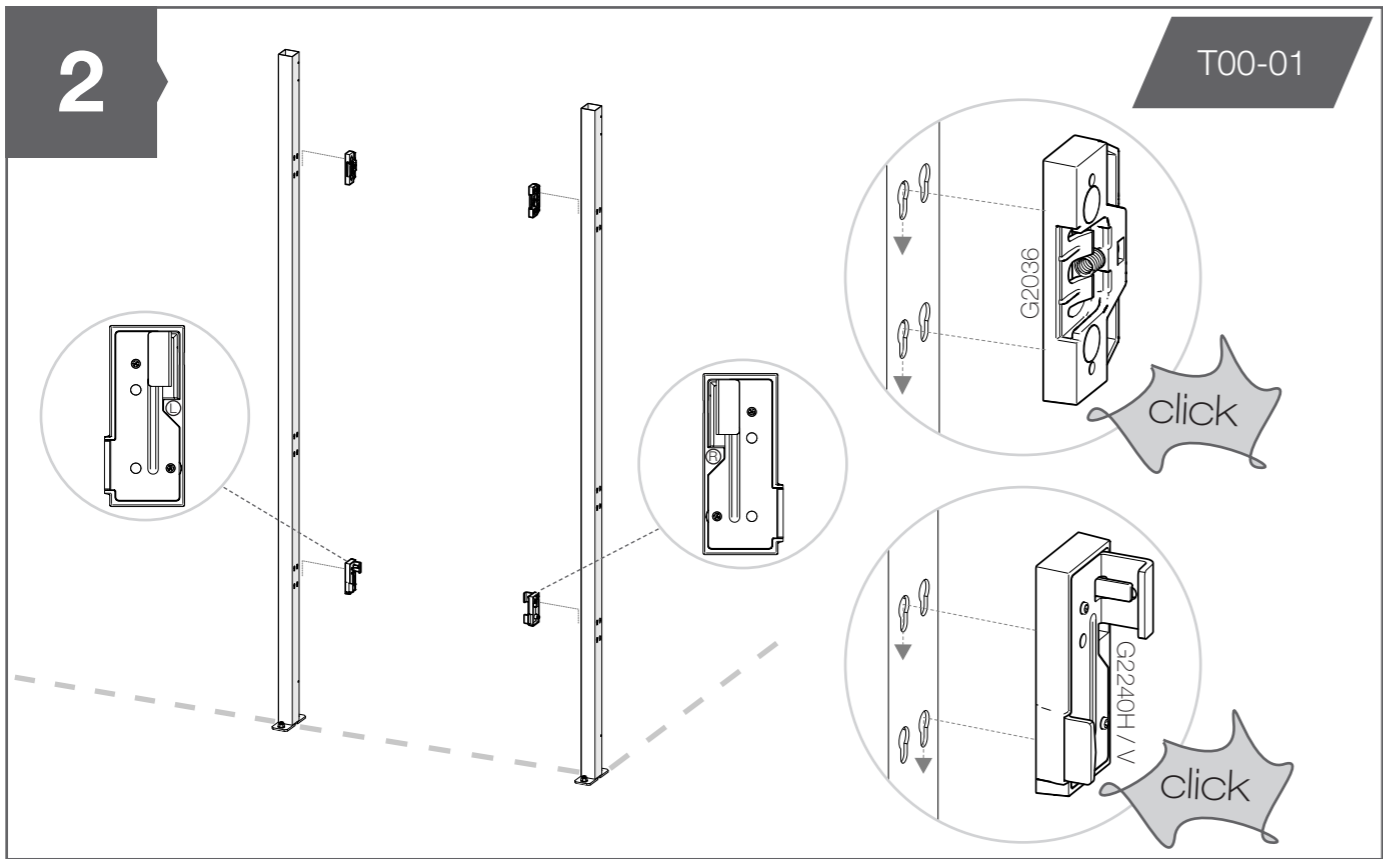
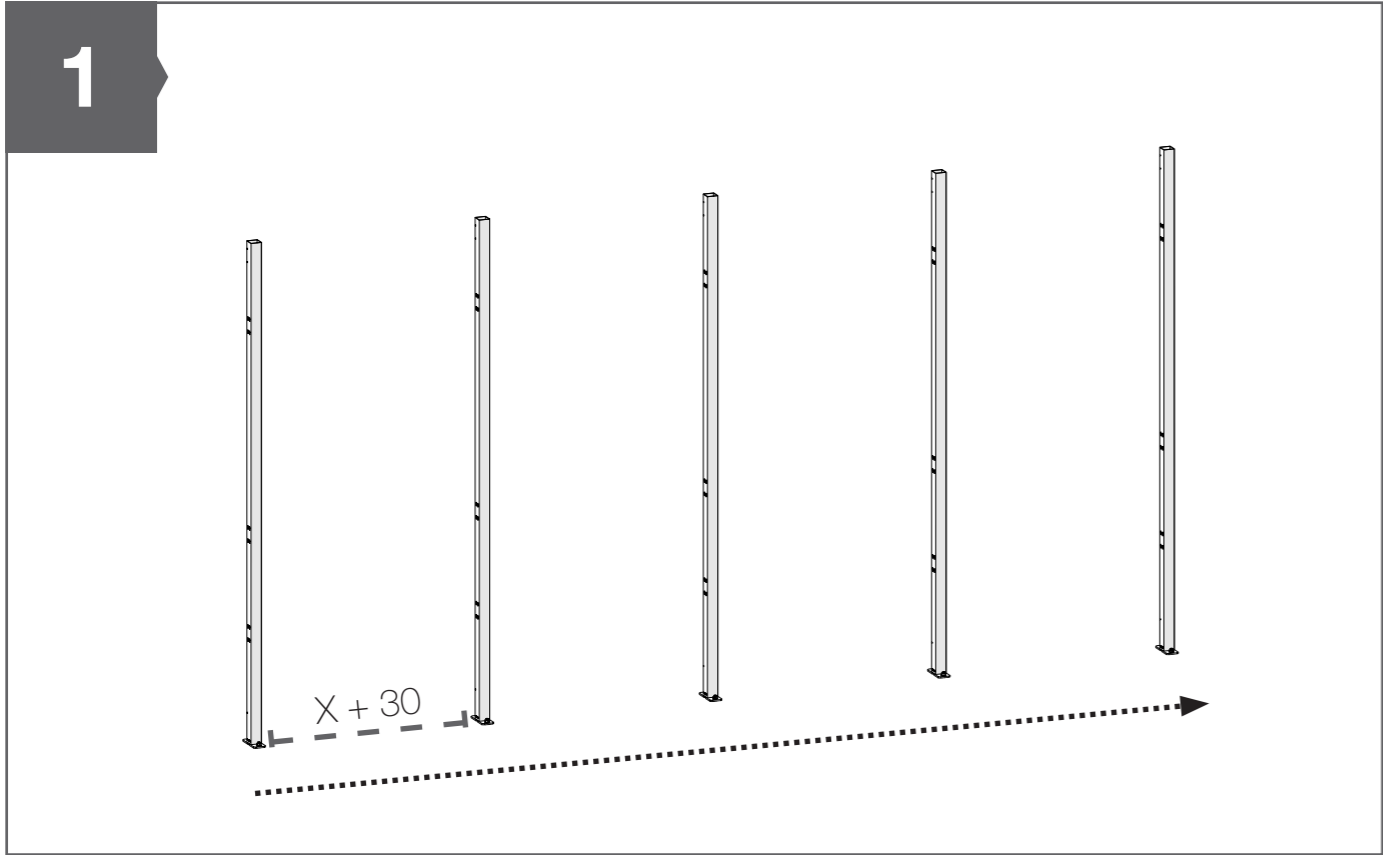
3

1 Preparation

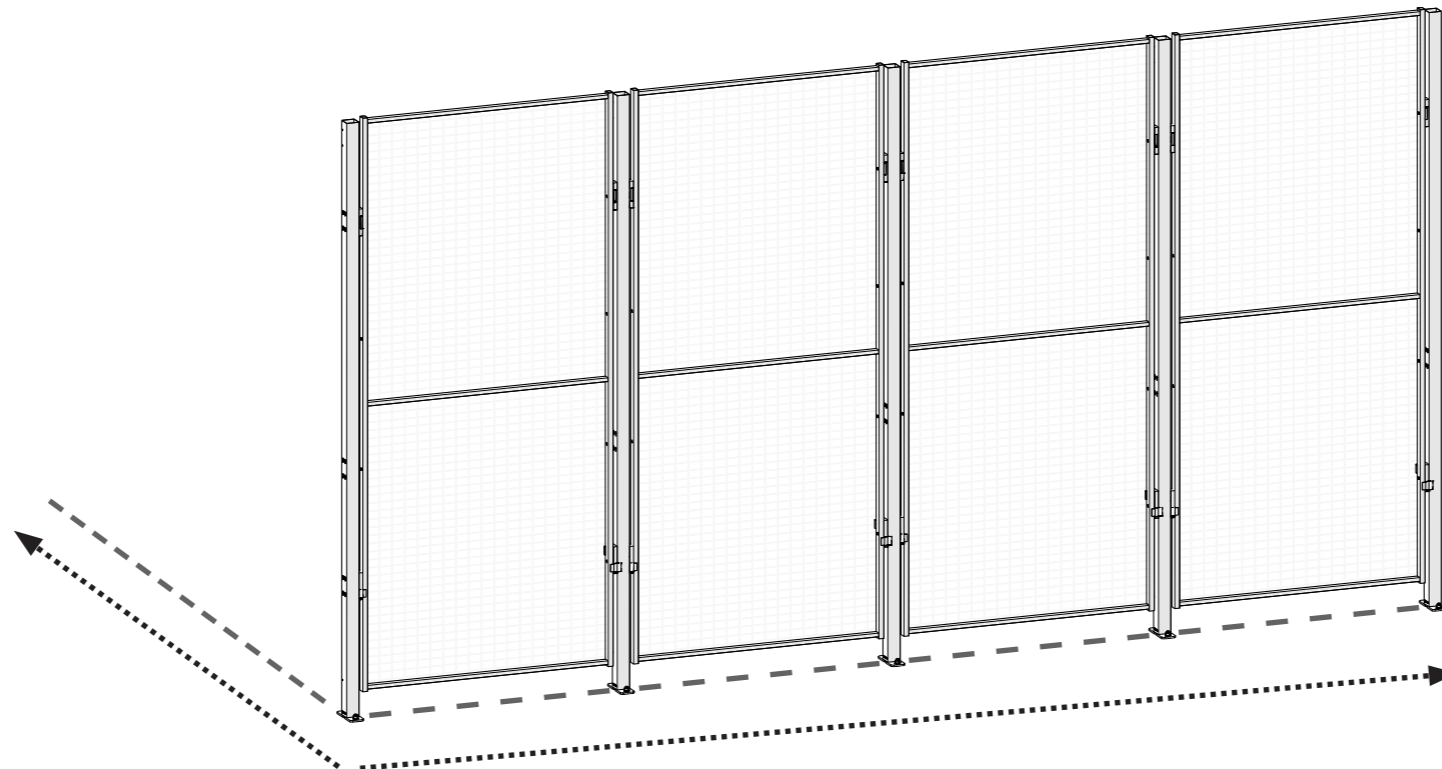


Metal/Plastic panels



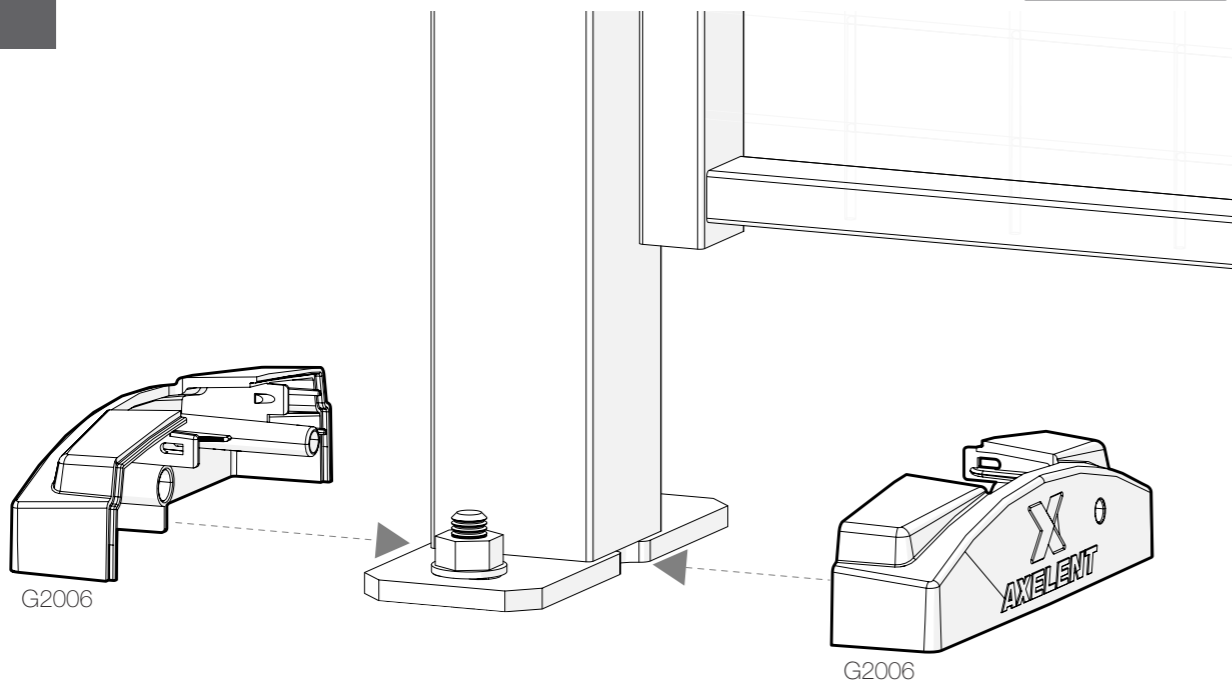


2



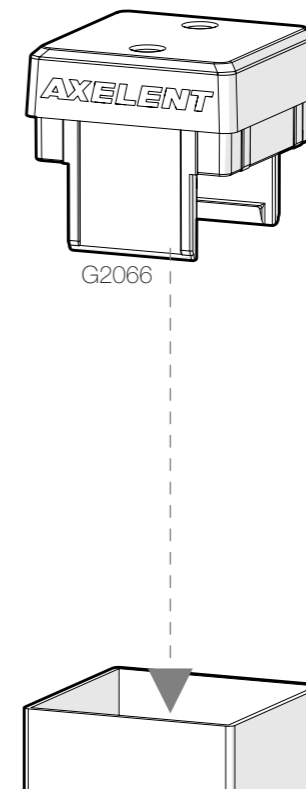
4

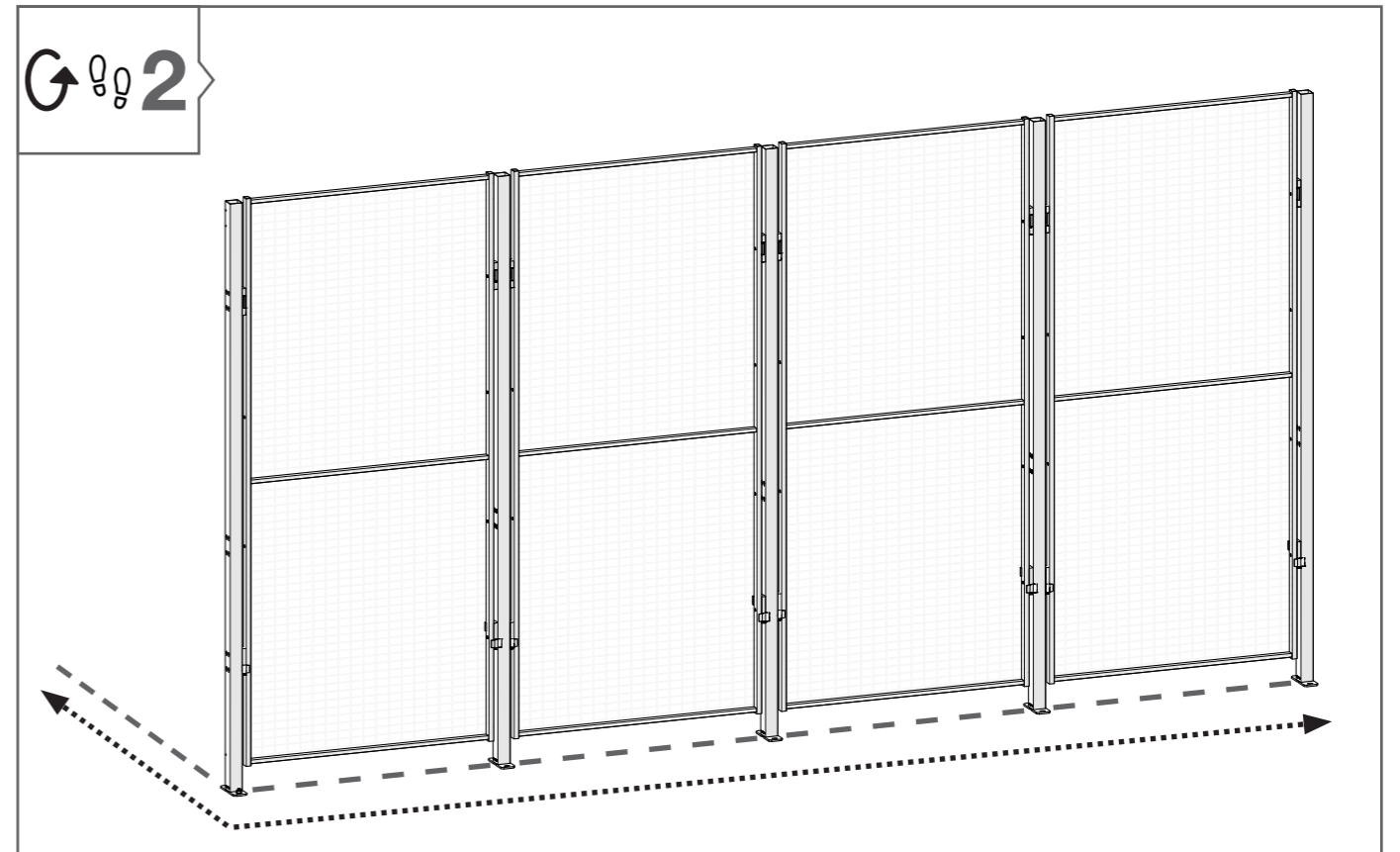
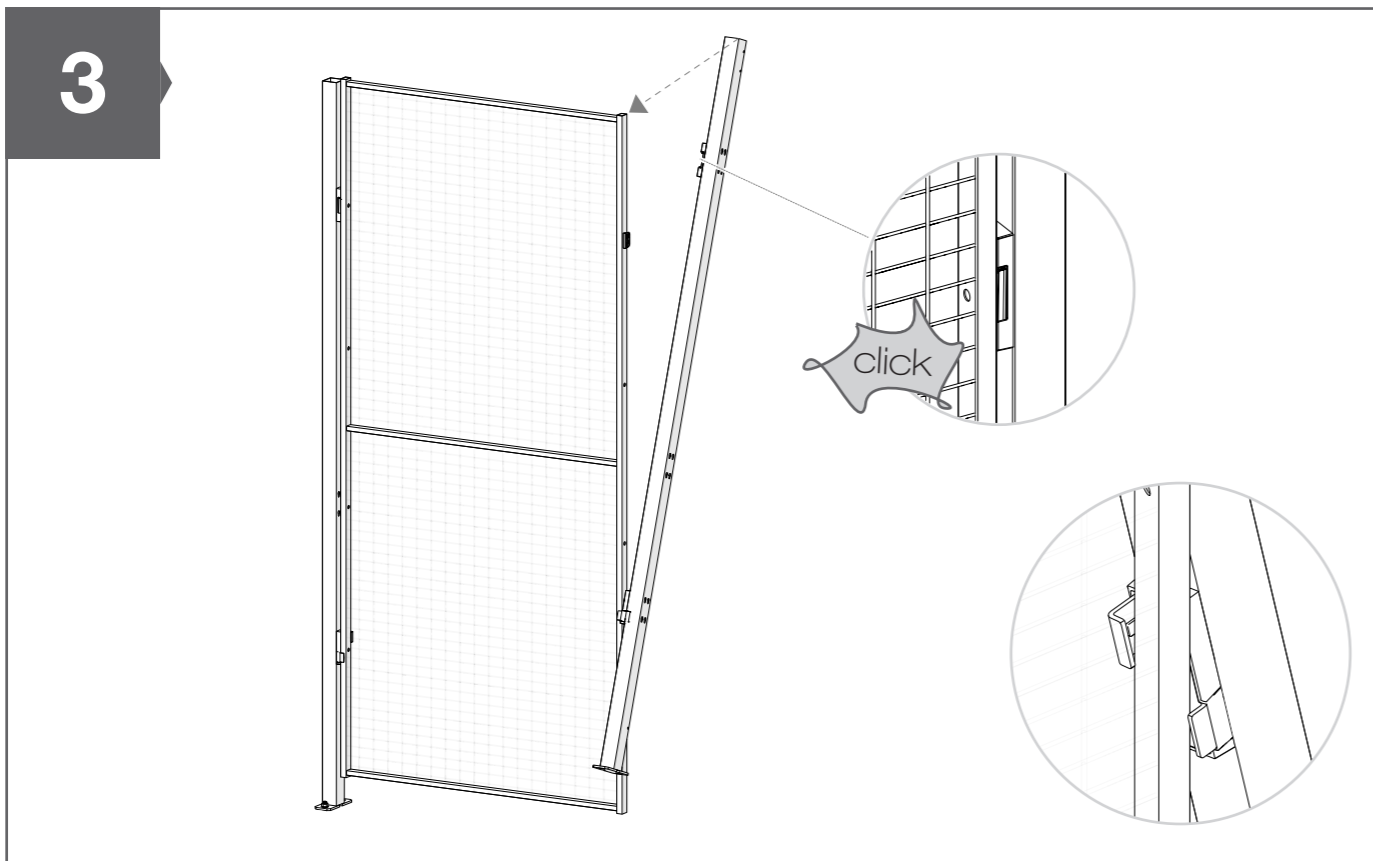
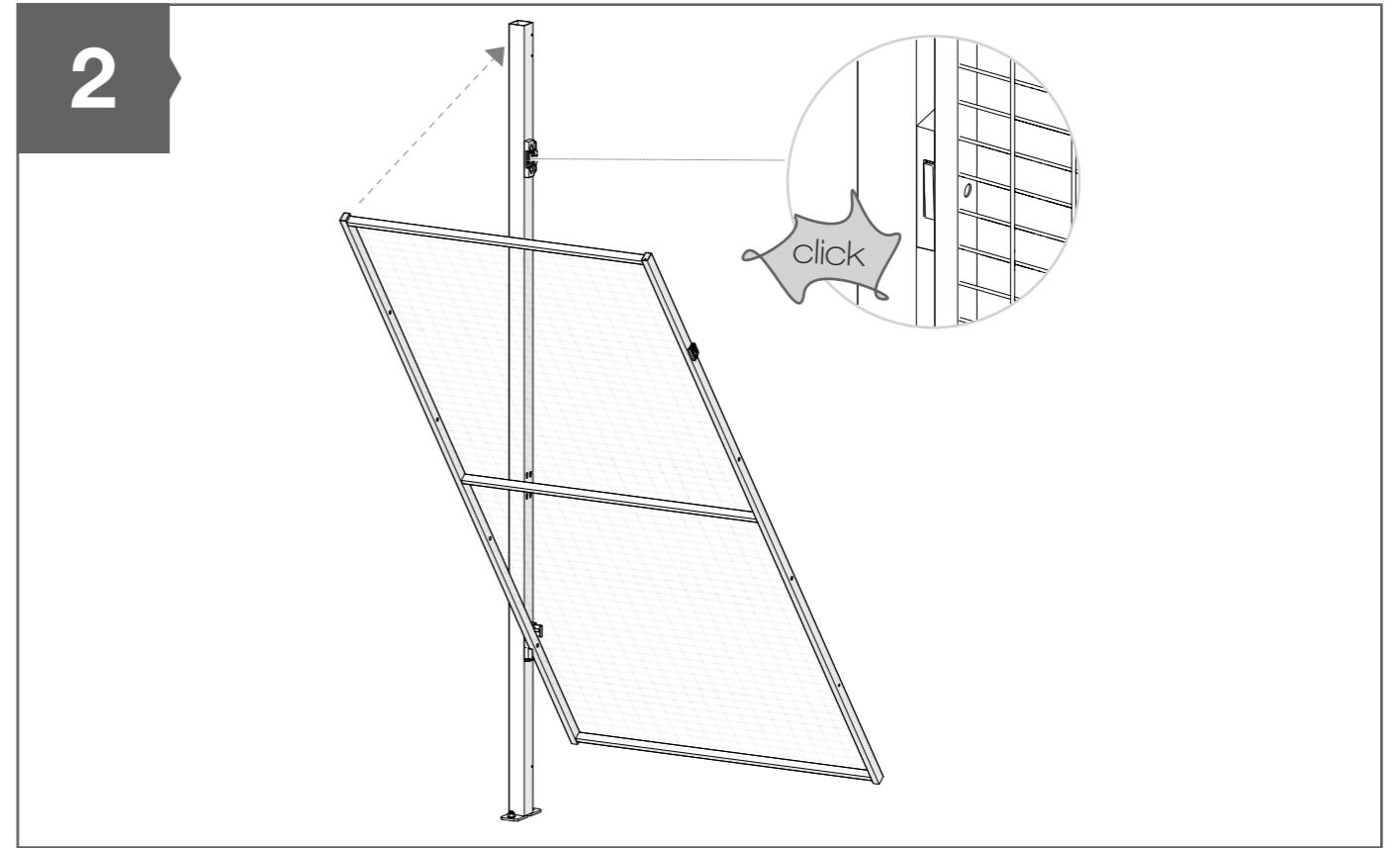
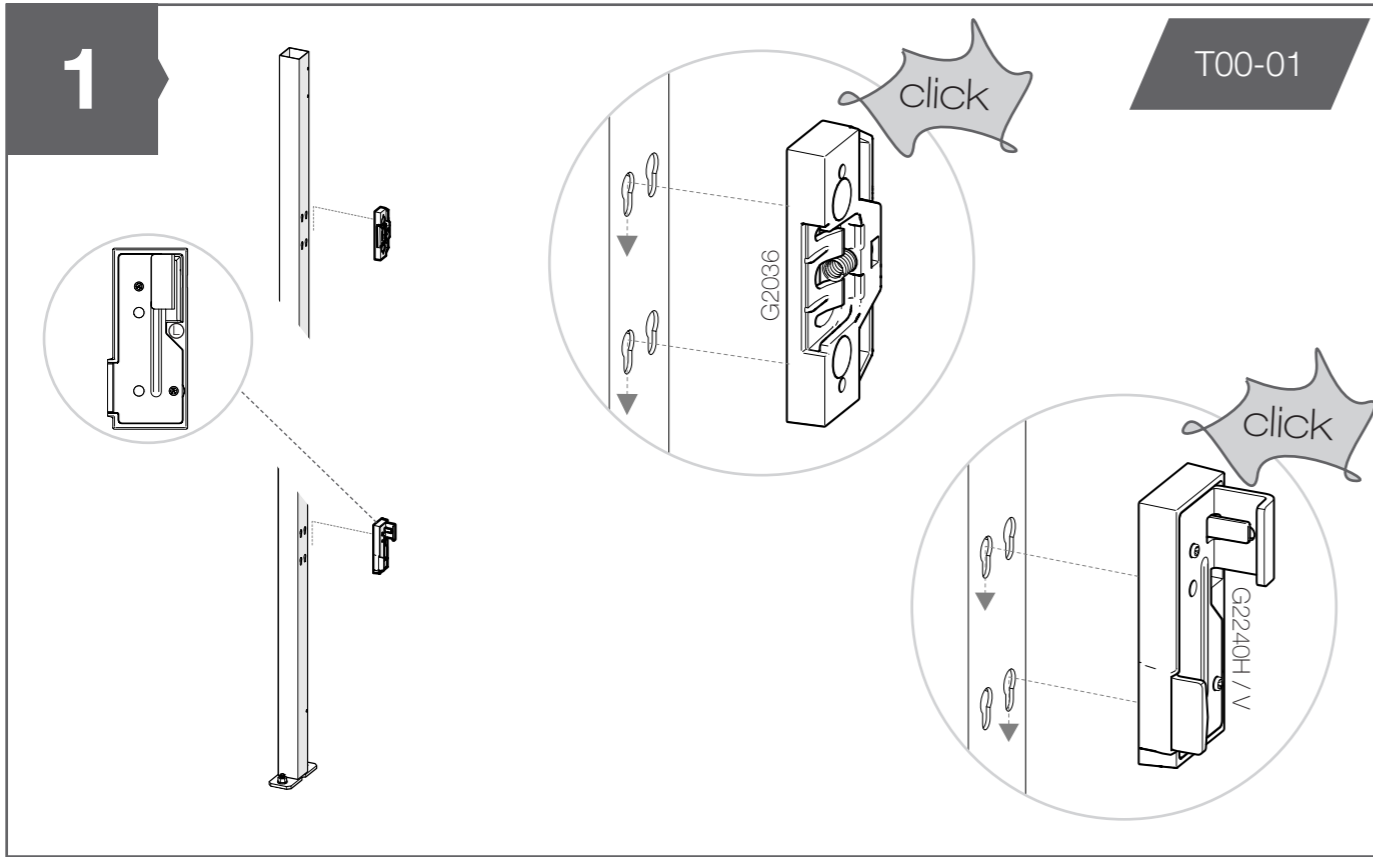
B00-002



5

B00-002

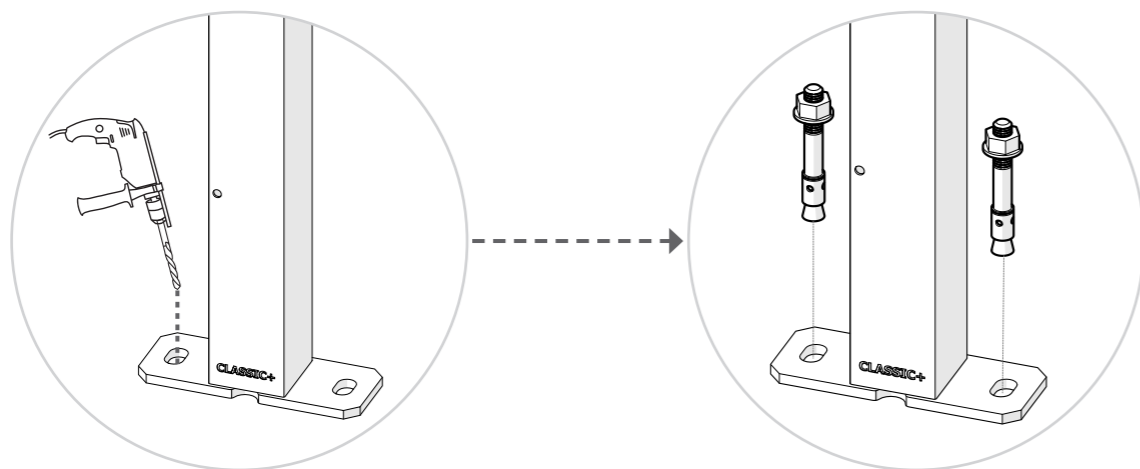
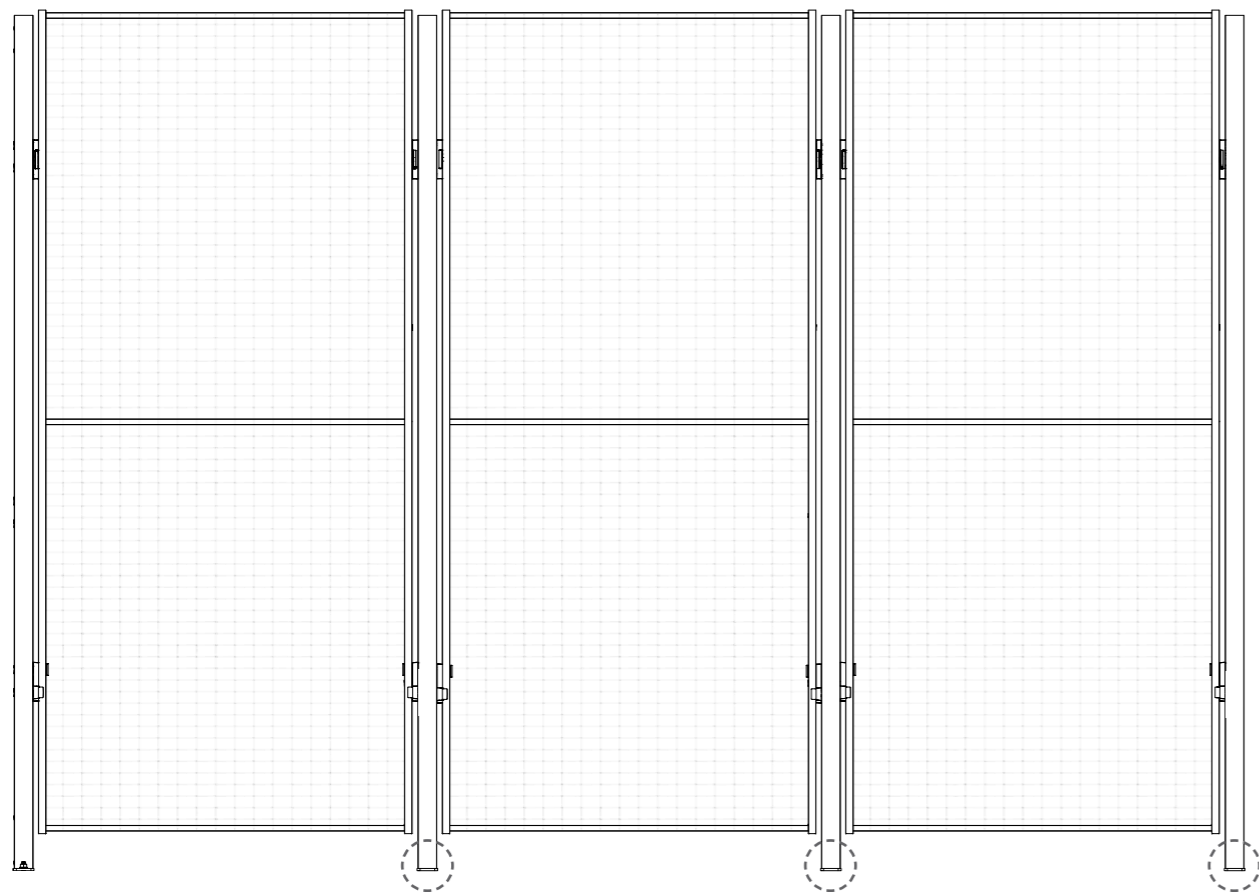




4

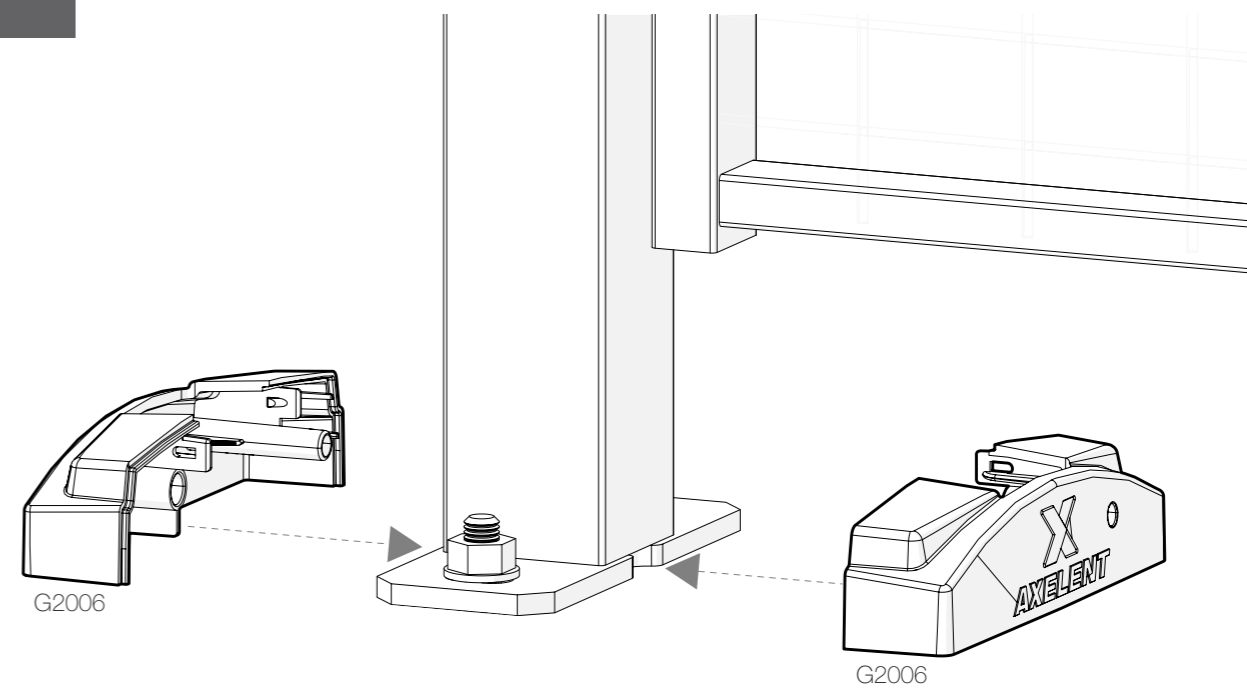


B00-002



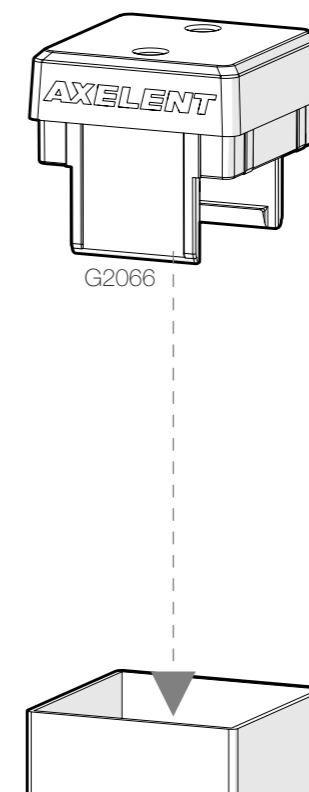
5

B00-002



6

B00-002



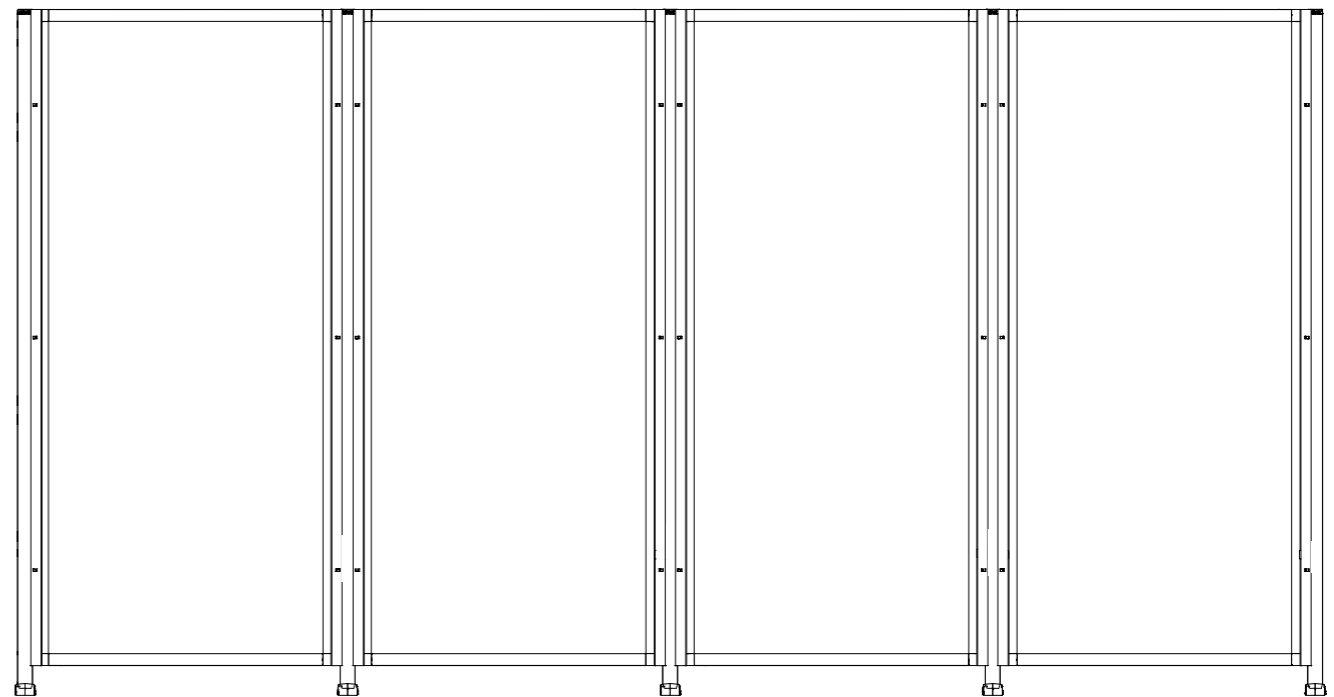
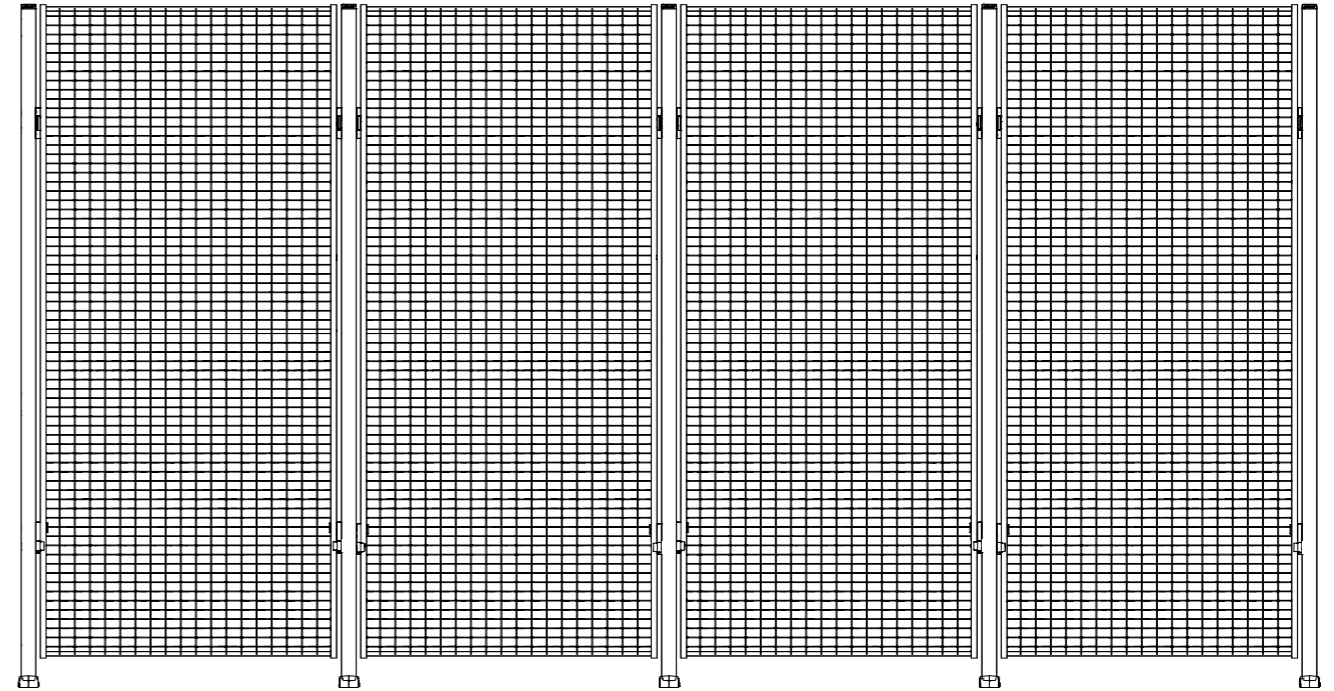
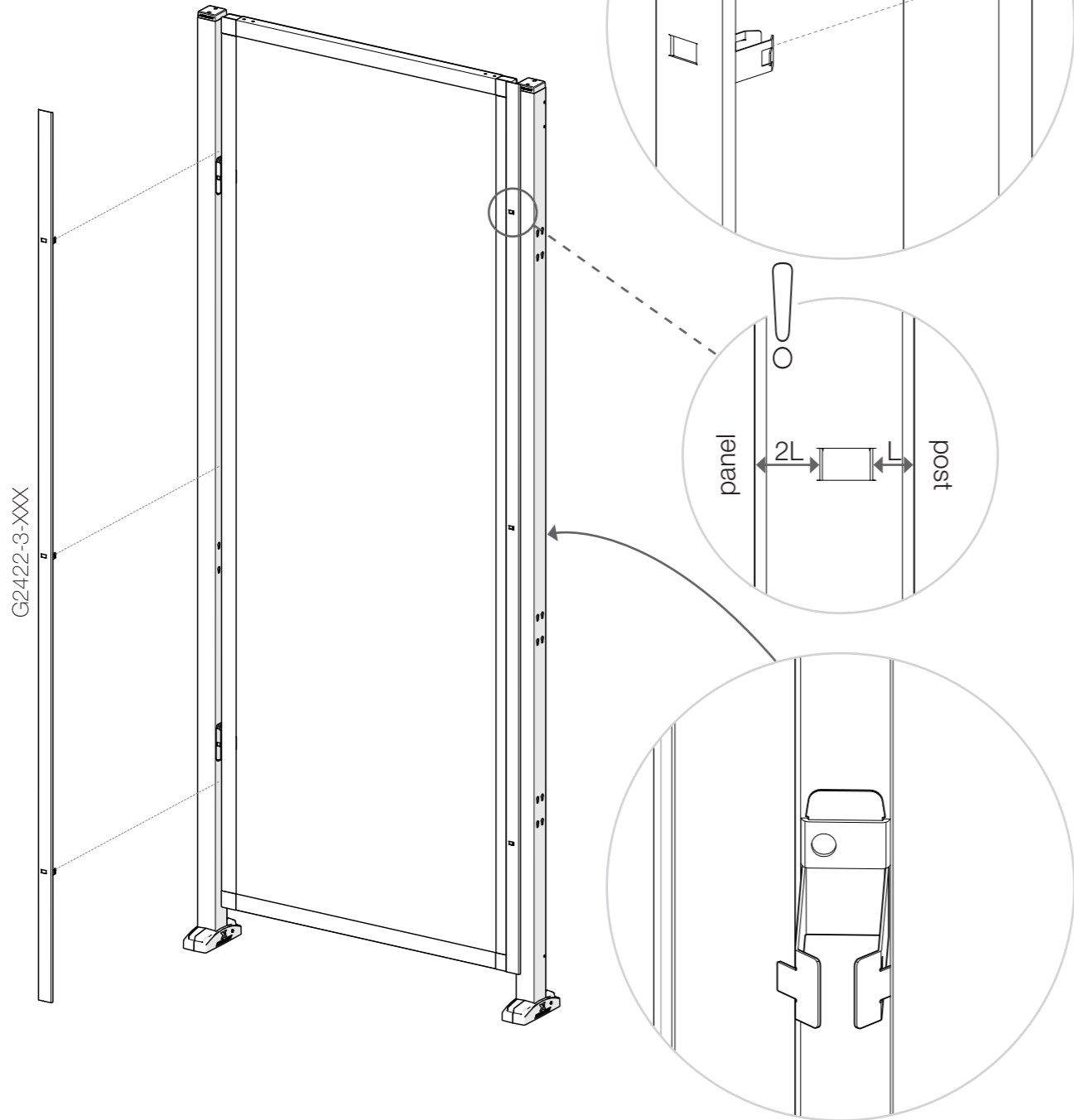


Metal/Plastic panels



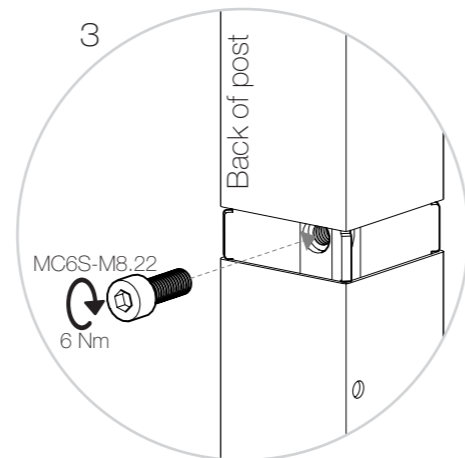
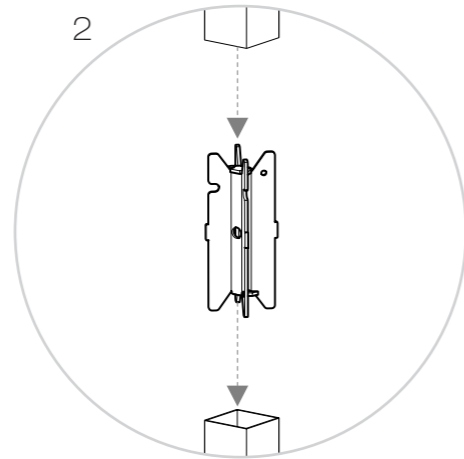
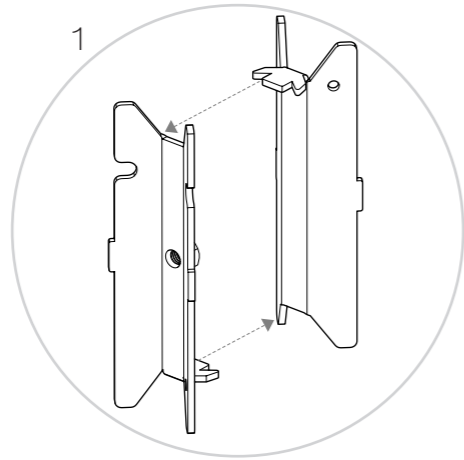
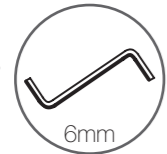
B00-075/  
B00-076 T11-3-XXX04

T11-3-XXX04 Manual



3 Extended height

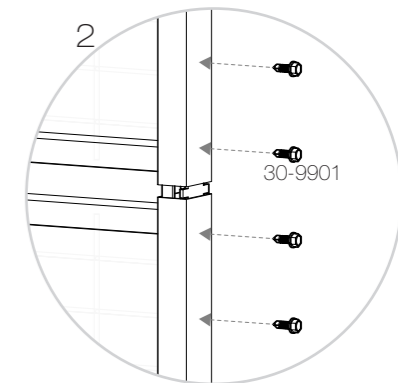
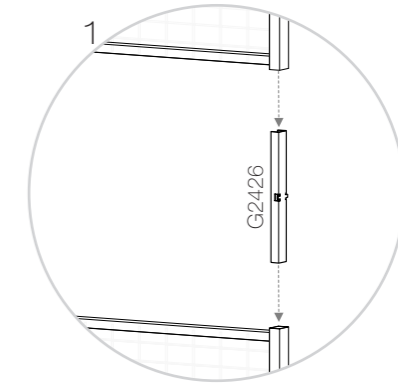
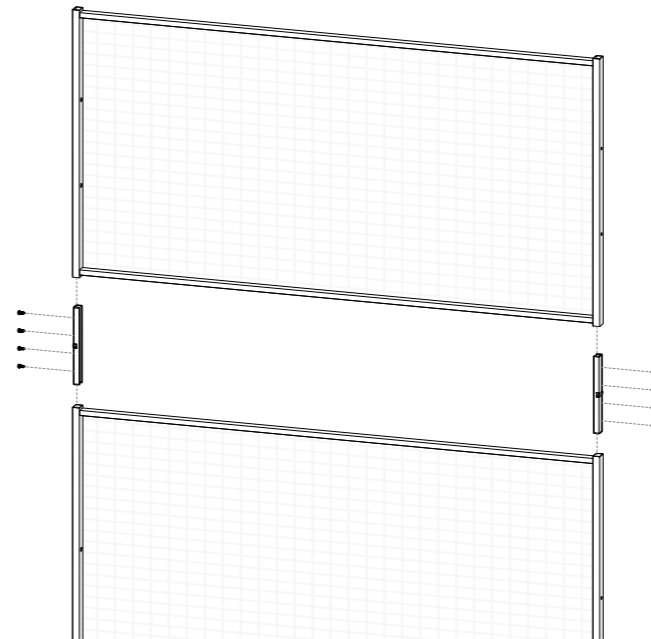
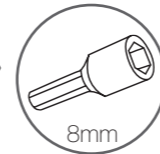
1



B00-041

Mesh panels

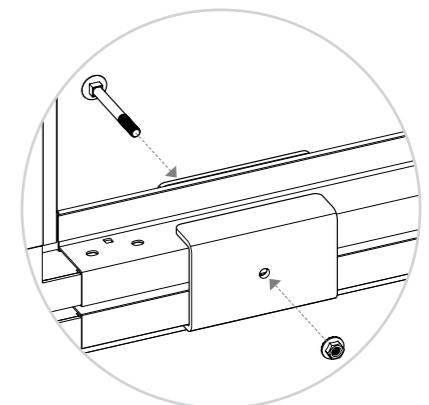
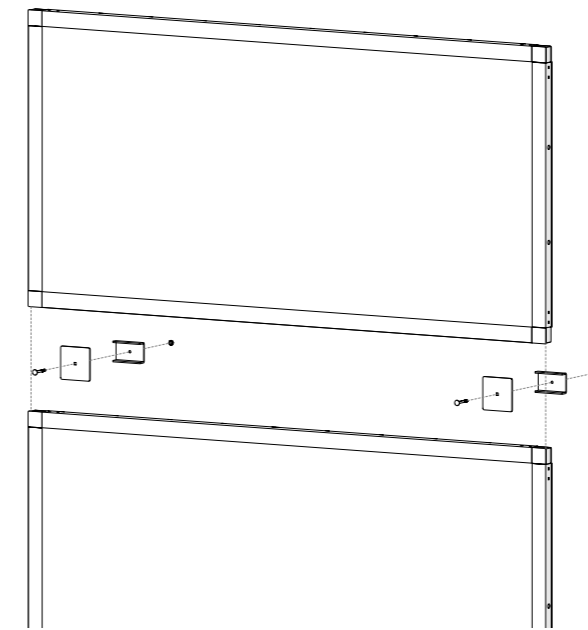
2A



B00-010

Metal/Plastic panels

2B



B00-104

